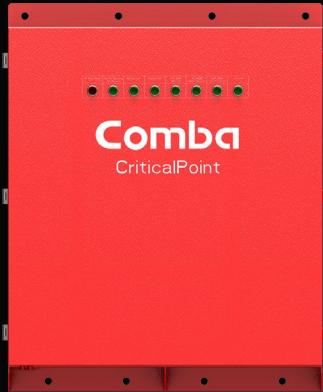


# Comba



BBU



700/800 BDA



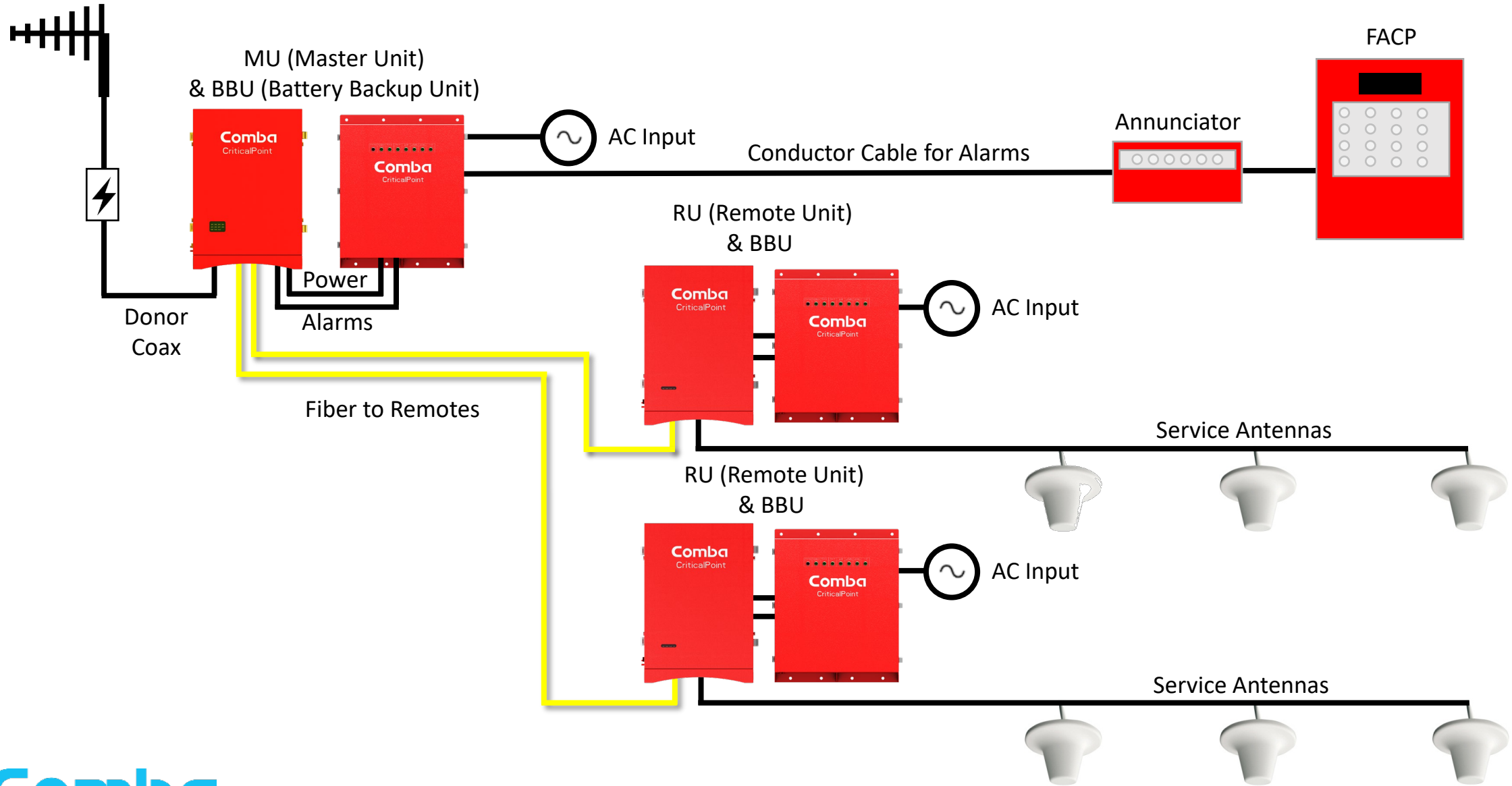
UHF BDA



700/800 Fiber DAS

Comba Public Safety Solutions - All UL 2524 Standard Certified

# Basic architecture Active DAS Solution



# In-Building Public Safety, UL 2524 and NRTLs

Brought to you by **Comba**

COMBA TELECOM, INC.

## For Information:

*Don Henry*

*Vice President of Sales*

*Program Manager - Public Safety Solutions*

**Comba-Telecom / N.A.**

Mobile: **951.452.2880**

Email: [don.henry@comba-telecom.com](mailto:don.henry@comba-telecom.com)